



Abeeway  
Improve your position

## SMART BADGE



### Sleek – smart - made for people

The Abeeway Smart Badge is a portable multi-mode tracker **in ID card format** with embedded sensors combining multi-constellation GNSS<sup>(1)</sup>, Low-power GPS<sup>(2)</sup>, Wi-Fi Sniffer<sup>(3)</sup>, BLE and LoRaWAN<sup>®</sup> TDoA<sup>(4)</sup> geolocation technologies, supporting **seamless outdoor and indoor geolocation**.

This device is ideal for **contact back-tracing, zone notification and monitoring of workforce safety and security**. Simple to use, a single button gives you access to the numerous functionalities you may personalize for your needs, e.g. as a **Panic/SOS Button**. A local zoning feature is able to **signal danger zones** with a 96 dBa buzzer. It has a robust, **industrial-grade magnetic connector** for recharging the battery, and optional multi-slot charging/upgrade dock.

### Applications

- Multi-mode tracking for employees, workers, visitors
- Contact back-tracing, proximity detection for sanitary policy enforcement
- SOS panic alarm for indoor and outdoor lone workers
- Danger zones or restricted areas access notifications
- Automated attendance monitoring and zoning
- Safety evacuation monitoring
- Location heatmaps, e.g. for optimization of supervisor/worker ratio in large construction or industrial sites

### Product Highlights

#### Multiple operating modes:

- **Motion Tracking:** High-resolution position when motion is detected
- **Permanent tracking:** Periodic interval position
- **Fix on demand:** Obtain tracker position when needed (very low power operating mode)
- **Activity tracking:** Monitor activity rate with embedded sensors

#### Geolocation technologies:

- **Multi-constellation GNSS/GPS<sup>(5)</sup>**
- **Low power GPS<sup>(6)</sup>**
- **Wi-Fi indoor and outdoor APSSID sniffing**
- **BLE:** Sniffing and beaconing

#### Other features:

- **Geofencing zone detection**
- **Edge computing for Proximity detection and exposure assessment**
- **User interface:** 96 dBa buzzer, bicolor LEDs, button
- **Temperature monitoring**
- **LoRaWAN<sup>®</sup> Class A radio**
- **High Pressure Water-spray resistant enclosure (IP65)**
- Magnetic USB connector for Rechargeable battery
- Large 1.3Ah battery
- Firmware Upgrade
- ATEX (Certified for explosive atmosphere)<sup>(7)</sup>
- Holder to slide ID or RFID Card

## Physical configuration

Size	90mm x 65 mm x 11 mm (L x l x h)
Weight	80g
Waterproof capability	IP65
Operating temperatures	-10°C to 55°C
Charging temperatures	0°C to 45°C
Storage temperature	10°C to 30°C (recommended)
Time storage max	6 months
Humidity	5% to 95% non-condensing

## Estimated battery lifetime

Use Case	Battery Life (Approx.)
1 GNSS position / hour	1.5 month <sup>(8)</sup>
1 LPGPS position / hour	9.6 months <sup>(8)</sup>
1WiFi position / hour	1.6 year
Standby	>1.8 years

## Data communication support

LoRaWAN <sup>®</sup> Modem	Semtech SX1261 transceiver
Protocol	LoRaWAN Class A
LoRaWAN <sup>®</sup> frequency bands <sup>(9)</sup>	EU868MHz / US915MHz / AS923MHz
Configuration supported	LoRaWAN <sup>®</sup> OTA or ABP
RF power	14 dBm (EU) / 18 dBm (max)
Min sensitivity of LoRaWAN <sup>®</sup> receiver	-130 dBm in SF 10 -135 dBm in SF 12
Wi-Fi Frequency band	2412 – 2472MHz
BLE sensitivity	-88 dBm
BLE RF output power	4 dBm max
BLE frequency band	2402 – 2480MHz
GNSS band	1559 – 1610MHz

## Standards and Certifications

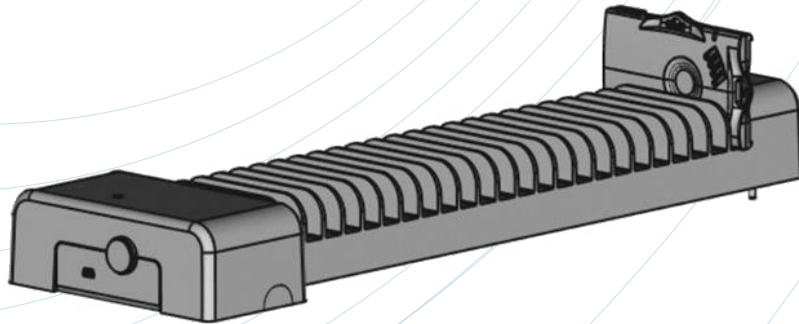
LoRa Alliance EU868, US915, AS923
Radio regulatory certification : EC, FCC, IC, TELEC

## Position accuracy

<b>GNSS<sup>(8)</sup></b> (GPS/Baidu/Glonass/ Galileo)	Position Accuracy (50%-90%)	10 to 20 meters	
	Time To First Fix	Cold start	30-50 seconds
		Hot start	<5 seconds
<b>Low power GPS<sup>(8)</sup></b>	Position Accuracy (50%-90%)	15 - 30 meters	
	Time To First Fix	<10 seconds	
	Acquisition sensitivity	-144 dBm	
<b>Wi-Fi<sup>(10)</sup></b>	Indoor and Deep Urban Position Accuracy	20 - 50 meters	
	Time to get a position	3 seconds	
	Sensitivity	-86 dBm	
<b>BLE for positioning<sup>(10)</sup></b>	Indoor Position Accuracy	5 - 15 m	
	Time to get a position	1 second	
<b>BLE for proximity</b>	Proximity Detection Accuracy	See Proximity Application Note	

## Power management

Rechargeable Battery	3.7V	1.3 Ah
Battery type	Lithium Polymer	
Charging cable	5V from a magnetic USB charger	
25 port charging dock	With magnetic connectors, Docks can be chained for large capacity charging (requires external 5V PSU)	
25-port charging dock with USB hub	Adds integrated USB hub option for mass configuration and firmware upgrades <sup>(11)</sup>	



## Product references<sup>(12)</sup>

Product	SKU
Smart Badge EU868	DEABE3XX-XXEU - DEABE3XX-XXEU-Ex1 <sup>(13)</sup> - DEABE3XX-XXEU-Ex2 <sup>(14)</sup>
Smart Badge EU868 – no GPS and WiFi	DEABE3XX-XXEU-BLE Only
Smart Badge US915	DEABE3XX-XXUS - DEABE3XX-XXUS-Ex1 <sup>(13)</sup> - DEABE3XX-XXUS-Ex2 <sup>(14)</sup>
Micro Tracker US915 – no GPS and WiFi	DEABE3XX-XXUS-BLE Only
Smart Badge AS923	DEABE3XX-XXAS - DEABE3XX-XXAS-Ex1 <sup>(13)</sup> - DEABE3XX-XXAS-Ex2 <sup>(14)</sup>
Micro Tracker AS923 – no GPS and WiFi	DEABE3XX-XXAS-BLE Only
USB Magnetic charging cable	ACHYT0000WW
25 magnetic ports charging dock	SKU-charging-dock
25 magnetic ports charging dock with USB hub function	SKU-charging-dock-data
5V Power Supply for single charging dock	SKU-power-supply

(1) - Option, GNSS/GPS not available in all models (refer to SKU list)

(2) - Option, requires GNSS enabled model and server-side Assisted GPS subscription to ThingPark Location

(3) - Option, requires WiFi enabled model and ThingPark Location WiFi solver subscription

(4) - Requires TDoA Location Solver option in ThingPark Wireless, ThingPark Enterprise or 3rd party LoRaWAN® network server

(5) - Precise outdoor position with GPS, GLONASS, Galileo and Beidou

(6) - Fast Time To First Fix in outdoor and light indoor conditions

(7) - ATEX Zone 2, and ATEX zone 1 certification pending on specific versions of the product. On Pre-order (refer to SKU list)

(8) - Assuming 6 satellites at -130 dBm

(9) - Channel frequencies and Transmit output power level are country specific and controlled by the operator. Supported frequencies and regional certifications differ according to ordering codes (refer to SKU list)

(10) - Requires location solver. Accuracy depends on the BLE beacon or WiFi AP density and physical layout of the premises

(11) - Separate Linux based PC required for Firmware Update

(12) - All SKUs subject to MOQ. Contact local sales representative to enquire for conditions and pricing. Some SKUs are pre-orders that will be available in Q4 2020

(13) - ATEX Zone I version of the product. On-pre-order

(14) - ATEX Zone II version of the product. On pre-order

Abeeway is the market leader in low-power geolocation and a provider of disruptive IoT tracking solutions worldwide. Abeeway offers the most energy-efficient, reliable and flexible geolocation solutions using unique tracking devices and a smart multi-technology location system optimized for long-range and low-power-consumption LoRaWAN™ connectivity. The system makes precise geolocation power-efficient for various environments by combining high-precision GPS, our patented cloud computing Low Power GPS technology and ultra-low-consumption Wi-Fi sniffing technique. Offering the fastest time-to-market, Abeeway delivers a complete end-to-end solution for mass-market IoT sectors for asset tracking and management, process optimization and personal safety. Abeeway is a member of LoRa Alliance™ and is part of the Actility Group. Actility Group is a leading provider of LPWA IoT connectivity solutions, tools, business services and applications.